

# NEMA Type 4X JIC

## Continuous Hinge Clamped Cover Enclosures

### JN4XHSS Series Stainless Steel Enclosures

#### Standard Features

- Continuous Hinge (removable hinge pin)
- Wall mounting flange / foot
- Watertight urethane gasket
- Stainless steel clamps and screws
- Four #10-32 weld nuts for optional mounting panel (mounting panel sold separately)
- Grounding studs on inside of box and cover

#### Design Options

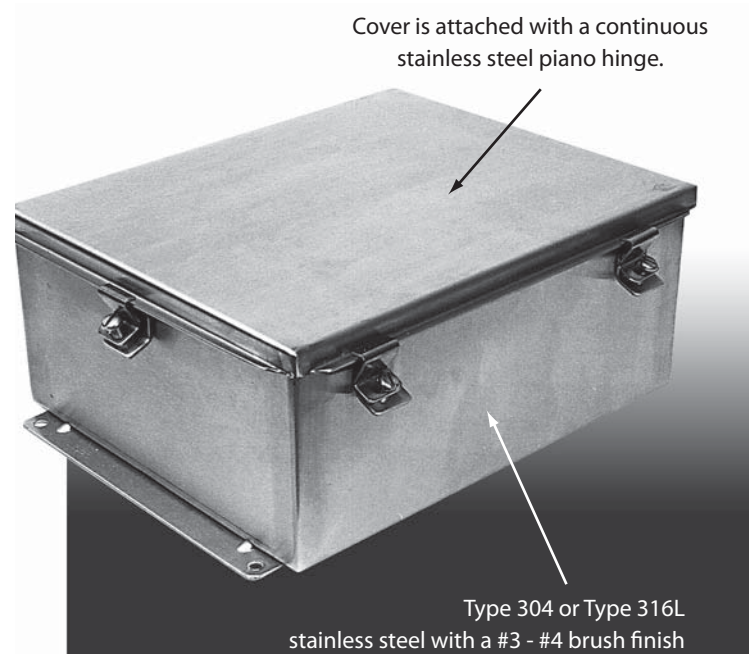
- Painted steel and stainless steel mounting panels
- Laser cut entries or cut-outs
- Terminal blocks or other component assembly
- Swing panel / dead front panel
- Padlock provisions
- Quick release latches
- Epoxy paint or powder coating
- Custom sizes
- 12 gauge material thickness

#### Material

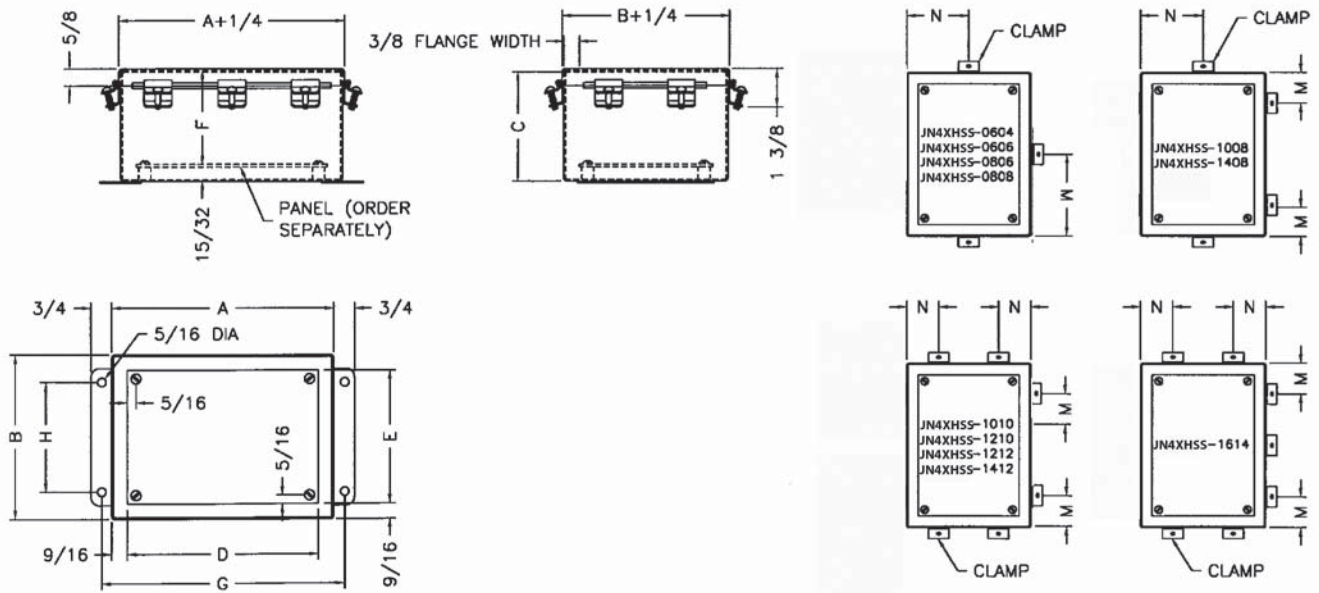
- 14 and 16 gauge / Type 304 or 316L stainless steel
- Stainless steel hardware
- #3 / #4 brushed finish

#### Certifications

- NEMA Type 3, 3R, 4, 4X, 12, and 13
- UL50
- cULus Listed



# NEMA Type 4X JIC



20/20 View

### STAINLESS STEEL 304 or 316L

ENCLOSURE	Gauge*	Box Dimensions			Panel Cat No. optional	Panel Dimensions			Mounting		Clamps	
		A	B	C		D	E	F	G	H	M	N
JN4XHSS-060403	16	6.00	4.00	3.00	06P04	4.88	2.88	2.55	6.75	2.00	3.00	2.00
JN4XHSS-080604	14	8.00	6.00	4.00	08P06	6.88	4.88	3.55	8.75	4.00	4.00	3.00
JN4XHSS-060404	16	6.00	4.00	4.00	06P04	4.88	2.88	3.55	6.75	2.00	3.00	2.00
JN4XHSS-060604	16	6.00	6.00	4.00	06P06	4.88	4.88	3.55	6.75	4.00	3.00	3.00
JN4XHSS-080804	14	8.00	8.00	4.00	08P08	6.88	6.88	3.55	8.75	6.00	4.00	4.00
JN4XHSS-100804	14	10.00	8.00	4.00	10P08	8.88	6.88	3.55	10.75	6.00	1.63	4.00
JN4XHSS-121005	14	12.00	10.00	5.00	12P10	10.88	8.88	4.55	12.75	8.00	3.63	2.63
JN4XHSS-080606	14	8.00	6.00	6.00	08P06	6.88	4.88	5.55	8.75	4.00	4.00	3.00
JN4XHSS-100806	14	10.00	8.00	6.00	10P08	8.88	6.88	5.55	10.75	6.00	1.63	4.00
JN4XHSS-101006	14	10.00	10.00	6.00	10P10	8.88	8.88	5.55	10.75	8.00	1.63	2.63
JN4XHSS-121006	14	12.00	10.00	6.00	12P10	10.88	8.88	5.55	12.75	8.00	3.63	2.63
JN4XHSS-121206	14	12.00	12.00	6.00	12P12	10.88	10.88	5.55	12.75	10.00	3.63	3.00
JN4XHSS-140806	14	14.00	8.00	6.00	14P08	12.88	6.88	5.55	14.75	6.00	3.63	4.00
JN4XHSS-141206	14	14.00	12.00	6.00	14P12	12.88	10.88	5.55	14.75	10.00	3.63	3.00
JN4XHSS-161406	14	16.00	14.00	6.00	16P14	14.88	12.88	5.55	16.75	12.00	1.63	4.13
JN4XHSS-121008	14	12.00	10.00	8.00	12P10	10.88	8.88	7.55	12.75	8.00	3.63	2.63
JN4XHSS-141208	14	14.00	12.00	8.00	14P12	12.88	10.88	7.55	14.75	10.00	3.63	4.13
JN4XHSS-161408	14	16.00	14.00	8.00	16P14	14.88	12.88	7.55	16.75	12.00	1.63	4.13
JN4XHSS-161410	14	16.00	14.00	10.00	16P14	14.88	12.88	9.55	16.75	12.00	1.63	4.13
JN4XHSS-202010	14	20.00	20.00	10.00	20P20	18.88	18.88	9.55	20.75	18.00	3.63	3.63

**NOTE** For Type 316L stainless steel enclosures, add 6 after SS. (i.e. JN4XHSS6)

\* All JN4XHSS6 316L boxes and covers are 14 gauge

# NEMA Type 4X JIC

## Lift-Off Clamp Cover Enclosures

### JN4XSS Series Stainless Steel Enclosures

#### Standard Features

- Stainless steel clamps and screws
- Wall mounting flange / foot
- Watertight urethane gasket
- Four #10-32 weld nuts for optional mounting panel (mounting panel sold separately)
- Grounding studs on inside of box and cover

#### Design Options

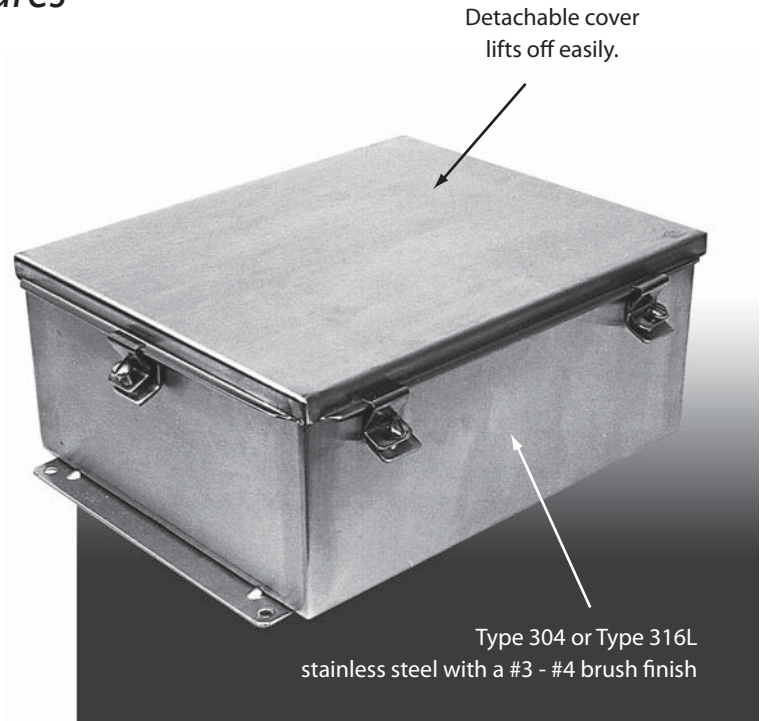
- Painted steel and stainless steel mounting panels
- Laser cut entries or cut-outs
- Terminal blocks or other component assembly
- Swing panel / dead front panel
- Quick release latches
- Epoxy paint or powder coating
- Custom Sizes
- 12 gauge material thickness

#### Material

- 14 and 16 gauge / Type 304 or 316L stainless steel
- Stainless steel hardware
- #3 / #4 brushed finish

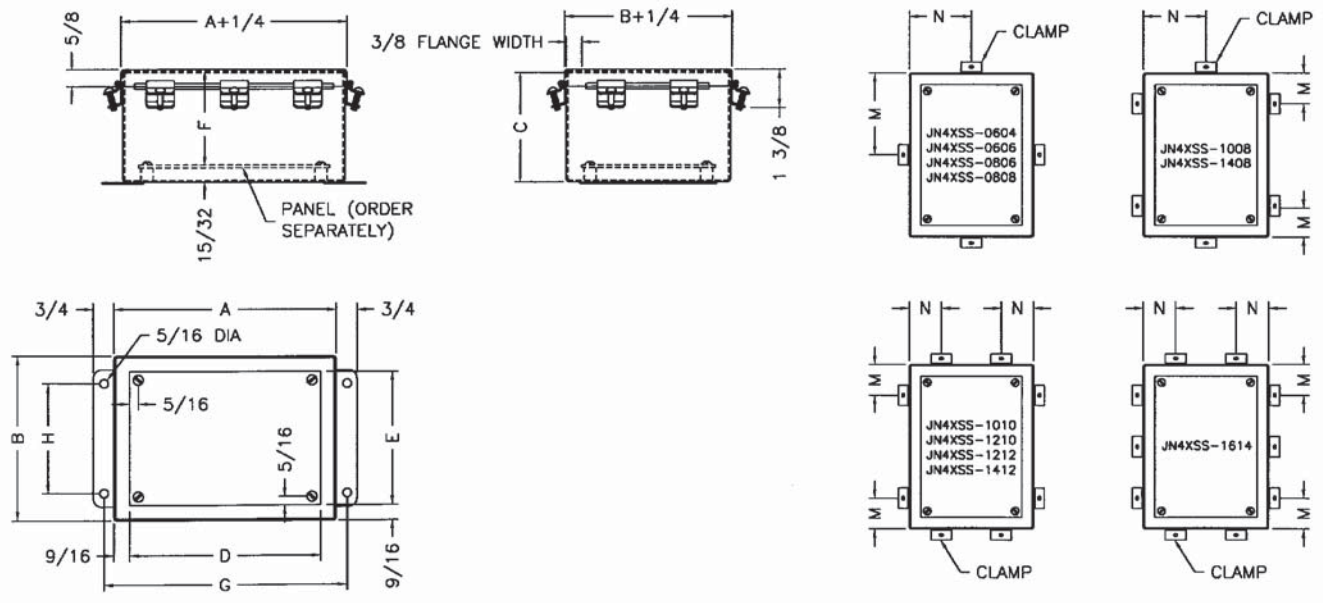
#### Certifications

- NEMA Type 3, 3R, 4, 4X, 12, and 13
- UL50
- cULus Listed



# NEMA Type 4X JIC

Stainless Steel



**STAINLESS STEEL 304 or 316L**

ENCLOSURE	Gauge*	Box Dimensions			Panel Cat No. optional	Panel Dimensions			Mounting		Clamps	
		A	B	C		D	E	F	G	H	M	N
JN4XSS-060403	16	6.00	4.00	3.00	06P04	4.88	2.88	2.55	6.75	2.00	3.00	2.00
JN4XSS-080604	14	8.00	6.00	4.00	08P06	6.88	4.88	3.55	8.75	4.00	4.00	3.00
JN4XSS-060404	16	6.00	4.00	4.00	06P04	4.88	2.88	3.55	6.75	2.00	3.00	2.00
JN4XSS-060604	16	6.00	6.00	4.00	06P06	4.88	4.88	3.55	6.75	4.00	3.00	3.00
JN4XSS-080804	14	8.00	8.00	4.00	08P08	6.88	6.88	3.55	8.75	6.00	4.00	4.00
JN4XSS-100804	14	10.00	8.00	4.00	10P08	8.88	6.88	3.55	10.75	6.00	1.63	4.00
JN4XSS-121005	14	12.00	10.00	5.00	12P10	10.88	8.88	4.55	12.75	8.00	3.63	2.63
JN4XSS-080606	14	8.00	6.00	6.00	08P06	6.88	4.88	5.55	8.75	4.00	4.00	3.00
JN4XSS-100806	14	10.00	8.00	6.00	10P08	8.88	6.88	5.55	10.75	6.00	1.63	4.00
JN4XSS-101006	14	10.00	10.00	6.00	10P10	8.88	8.88	5.55	10.75	8.00	1.63	2.63
JN4XSS-121206	14	12.00	12.00	6.00	12P12	10.88	10.88	5.55	12.75	10.00	3.63	3.00
JN4XSS-140806	14	14.00	8.00	6.00	14P08	12.88	6.88	5.55	14.75	6.00	3.63	4.00
JN4XSS-141206	14	14.00	12.00	6.00	14P12	12.88	10.88	5.55	14.75	10.00	3.63	3.00
JN4XSS-161406	14	16.00	14.00	6.00	16P14	14.88	12.88	5.55	16.75	12.00	1.63	4.13
JN4XSS-121008	14	12.00	10.00	8.00	12P10	10.88	8.88	7.55	12.75	8.00	3.63	2.63
JN4XSS-141208	14	14.00	12.00	8.00	14P12	12.88	10.88	7.55	14.75	10.00	3.63	4.13
JN4XSS-161408	14	16.00	14.00	8.00	16P14	14.88	12.88	7.55	16.75	12.00	1.63	4.13
JN4XSS-161410	14	16.00	14.00	10.00	16P14	14.88	12.88	9.55	16.75	12.00	1.63	4.13
JN4XSS-202010	14	20.00	20.00	10.00	20P20	18.88	18.88	9.55	20.75	18.00	3.63	3.63

**NOTE** For Type 316L stainless steel enclosures, add 6 after SS. (i.e. JN4XSS6)

\* All JN4XSS6 316L boxes and covers are 14 gauge

# NEMA Type 4X

## Continuous Hinge Single Door Clamped Cover Enclosures

### *N4X Series Stainless Steel Enclosures*

#### Standard Features

- Continuous hinge (removable hinge pin)
- Wall mounting feet
- Watertight urethane gasket
- Stainless steel clamps and screws
- 3/8 - 16 x 1" collar studs (quantity varies) for optional mounting panels (mounting panels sold separately)
- Grounding studs on inside of box and cover
- Padlock provisions

#### Design Options

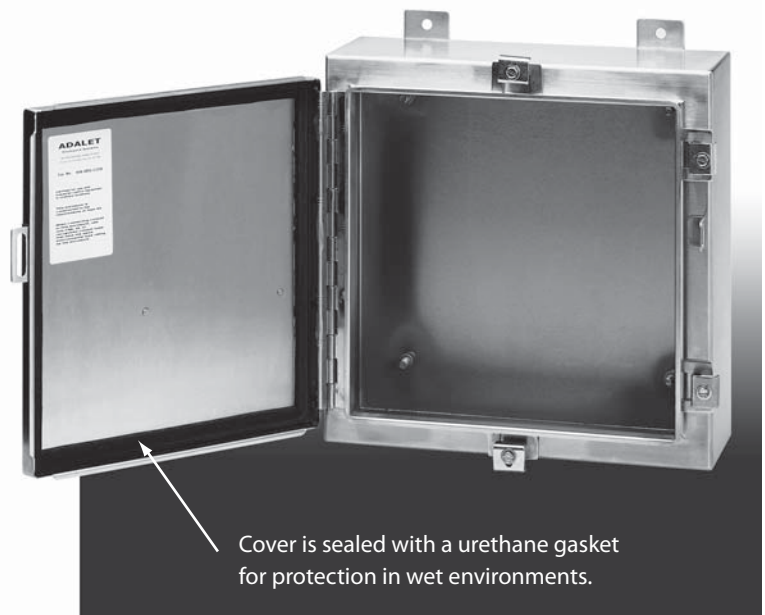
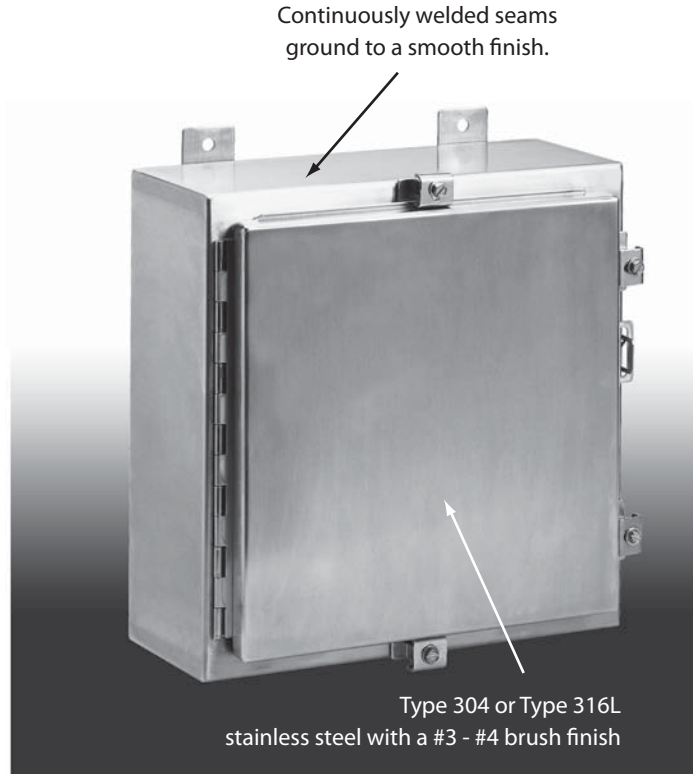
- Painted steel and stainless steel mounting panels
- Laser cut entries or cut-outs
- Terminal blocks or other component assembly
- Print pockets
- Swing panel / dead front panel
- Quick release latches
- Epoxy paint or powder coating
- Custom sizes
- 12 gauge material thickness
- Drip shields and sun shields
- Window kits

#### Material

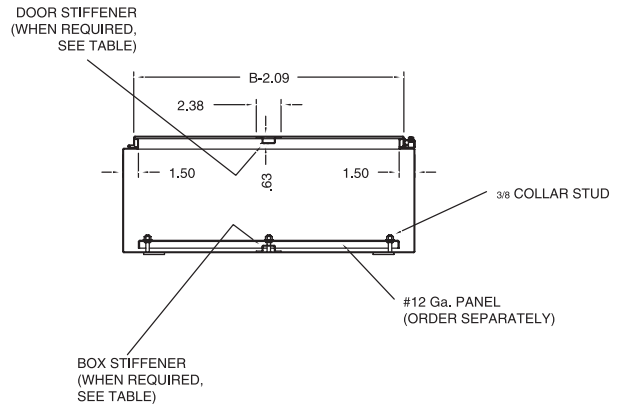
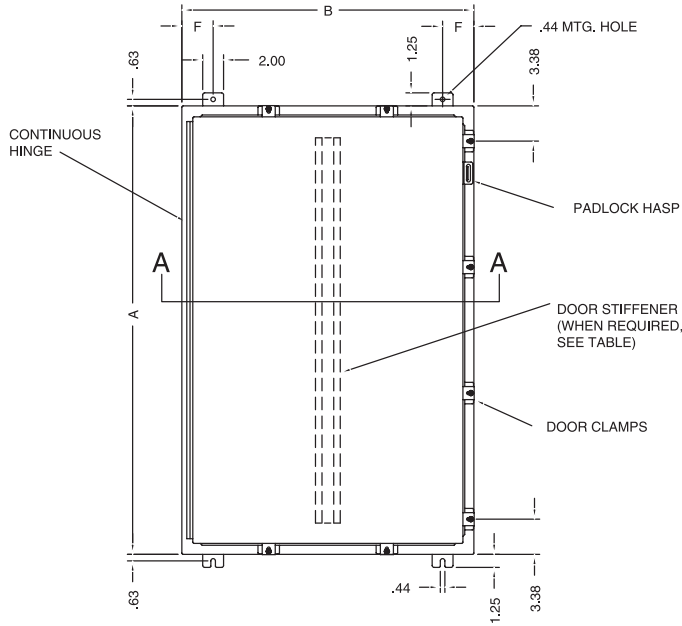
- 14 and 16 gauge / Type 304 or 316L stainless steel
- Stainless steel hardware
- #3 / #4 brushed finish

#### Certifications

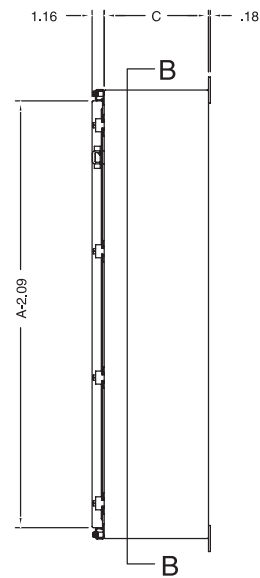
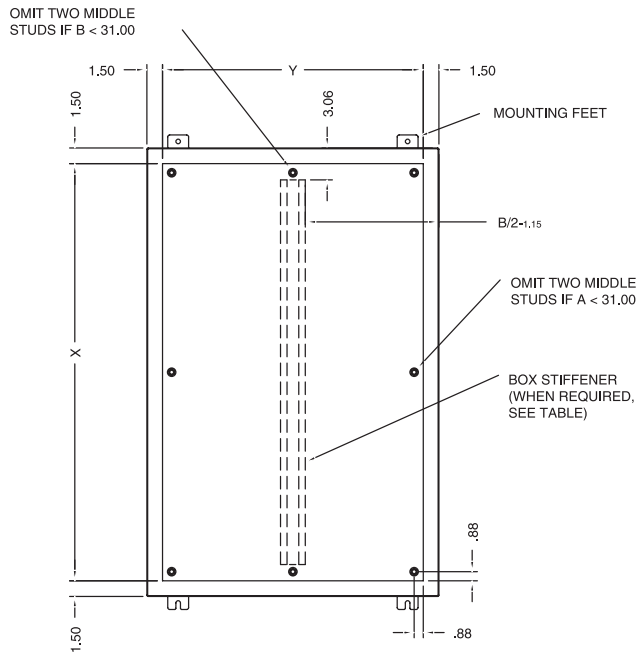
- NEMA Type 3, 3R, 4, 4X, and 12
- UL50
- cULus Listed



SECTION A-A



SECTION B-B



# NEMA Type 4X

Stainless Steel

## Single Door Enclosures

### STAINLESS STEEL 304 or 316L

ENCLOSURE						MOUNTING PANEL						
N4X or N4X6	Gauge Thickness		Box Dimensions			Clamps		Stiffeners		Cat. #	Dimensions	
	Box	Door	A	B	C	#	F	Box	Door		X	Y
-161206	16	14	16.00	12.00	6.00	4	1.25	—	—	V1612	13.00	9.00
-161606	16	14	16.00	16.00	6.00	4	3.00	—	—	V1616	13.00	13.00
-162006	16	14	16.00	20.00	6.00	4	3.00	—	—	V2016	13.00	17.00
-201606	16	14	20.00	16.00	6.00	4	3.00	—	—	V2016	17.00	13.00
-202006	16	14	20.00	20.00	6.00	4	3.00	—	—	V2020	17.00	17.00
-202406	16	14	20.00	24.00	6.00	4	3.00	—	—	V2420	17.00	21.00
-241206	16	14	24.00	12.00	6.00	5	1.25	—	—	V2412	21.00	9.00
-241606	16	14	24.00	16.00	6.00	5	3.00	—	—	V2416	21.00	13.00
-242006	16	14	24.00	20.00	6.00	5	3.00	—	—	V2420	21.00	17.00
-242406	16	14	24.00	24.00	6.00	5	3.00	—	—	V2424	21.00	21.00
-302006	14	14	30.00	20.00	6.00	5	3.00	—	—	V3020	27.00	17.00
-302406	14	14	30.00	24.00	6.00	5	3.00	—	—	V3024	27.00	21.00
-362406	14	14	36.00	24.00	6.00	5	3.00	—	—	V3624	33.00	21.00
-363006	14	14	36.00	30.00	6.00	7	3.00	1	—	V3630	33.00	27.00
-161208	16	14	16.00	12.00	8.00	4	1.25	—	—	V1612	13.00	9.00
-161608	16	14	16.00	16.00	8.00	4	3.00	—	—	V1616	13.00	13.00
-162008	16	14	16.00	20.00	8.00	4	3.00	—	—	V2016	13.00	17.00
-201608	16	14	20.00	16.00	8.00	4	3.00	—	—	V2016	17.00	13.00
-202008	16	14	20.00	20.00	8.00	4	3.00	—	—	V2020	17.00	17.00
-202408	16	14	20.00	24.00	8.00	4	3.00	—	—	V2420	17.00	21.00
-241608	16	14	24.00	16.00	8.00	5	3.00	—	—	V2416	21.00	13.00
-242008	14	14	24.00	20.00	8.00	5	3.00	—	—	V2420	21.00	17.00
-242408	14	14	24.00	24.00	8.00	5	3.00	—	—	V2424	21.00	21.00
-243008	14	14	24.00	30.00	8.00	7	3.00	—	—	V3024	21.00	27.00
-302008	14	14	30.00	20.00	8.00	5	3.00	—	—	V3020	27.00	17.00
-302408	14	14	30.00	24.00	8.00	5	3.00	—	—	V3024	27.00	21.00
-303008	14	14	30.00	30.00	8.00	7	3.00	1	—	V3030	27.00	27.00
-362408	14	14	36.00	24.00	8.00	5	3.00	—	—	V3624	33.00	21.00
-363008	14	14	36.00	30.00	8.00	7	3.00	1	1	V3630	33.00	27.00
-363608	14	14	36.00	36.00	8.00	7	3.00	1	1	V3636	33.00	33.00
-423008	14	14	42.00	30.00	8.00	8	3.00	1	1	V4230	39.00	27.00
-423608	14	14	42.00	36.00	8.00	8	3.00	1	1	V4236	39.00	33.00
-603610	14	14	60.00	36.00	10.00	9	3.00	1	1	V6036	57.00	33.00
-201612	14	14	20.00	16.00	12.00	4	3.00	—	—	V2016	17.00	13.00

## Single Door Enclosures

### STAINLESS STEEL 304 or 316L

ENCLOSURE	ENCLOSURE					MOUNTING PANEL						
	Gauge Thickness		Box Dimensions			Clamps		Stiffeners		Cat. #	Dimensions	
	Box	Door	A	B	C	#	F	Box	Door		X	Y
<b>N4X or N4X6</b>												
-483608	14	14	48.00	36.00	8.00	8	3.00	1	1	V4836	45.00	33.00
-201610	14	14	20.00	16.00	10.00	4	3.00	—	—	V2016	17.00	13.00
-202010	14	14	20.00	20.00	10.00	4	3.00	—	—	V2020	17.00	17.00
-242010	14	14	24.00	20.00	10.00	5	3.00	—	—	V2420	21.00	17.00
-242410	14	14	24.00	24.00	10.00	5	3.00	—	—	V2424	21.00	21.00
-302410	14	14	30.00	24.00	10.00	5	3.00	—	—	V3024	27.00	21.00
-362410	14	14	36.00	24.00	10.00	5	3.00	—	—	V3624	33.00	21.00
-363010	14	14	36.00	30.00	10.00	7	3.00	1	—	V3630	33.00	27.00
-423010	14	14	42.00	30.00	10.00	8	3.00	1	1	V4230	39.00	27.00
-423610	14	14	42.00	36.00	10.00	8	3.00	1	1	V4236	39.00	33.00
-483610	14	14	48.00	36.00	10.00	8	3.00	1	1	V4836	45.00	33.00
-242012	14	14	24.00	20.00	12.00	5	3.00	—	—	V2420	21.00	17.00
-242412	14	14	24.00	24.00	12.00	5	3.00	—	—	V2424	21.00	21.00
-302412	14	14	30.00	24.00	12.00	5	3.00	—	—	V3024	27.00	21.00
-303012	14	14	30.00	30.00	12.00	7	3.00	1	—	V3030	27.00	27.00
-362412	14	14	36.00	24.00	12.00	5	3.00	—	—	V3624	33.00	21.00
-363012	14	14	36.00	30.00	12.00	7	3.00	1	1	V3630	33.00	27.00
-363612	14	14	36.00	36.00	12.00	7	3.00	1	1	V3636	33.00	33.00
-423012	14	14	42.00	30.00	12.00	8	3.00	1	1	V4230	39.00	27.00
-423612	14	14	42.00	36.00	12.00	8	3.00	1	1	V4236	39.00	33.00
-483612	14	14	48.00	36.00	12.00	8	3.00	1	1	V4836	45.00	33.00
-603612	14	14	60.00	36.00	12.00	9	3.00	1	1	V6036	57.00	33.00
-242016	14	14	24.00	20.00	16.00	5	3.00	—	—	V2420	21.00	17.00
-242416	14	14	24.00	24.00	16.00	5	3.00	—	—	V2424	21.00	21.00
-302416	14	14	30.00	24.00	16.00	5	3.00	—	—	V3024	27.00	21.00
-363016	14	14	36.00	30.00	16.00	7	3.00	1	—	V3630	33.00	27.00
-423616	14	14	42.00	36.00	16.00	8	3.00	1	1	V4236	39.00	33.00
-483616	14	14	48.00	36.00	16.00	8	3.00	1	1	V4836	45.00	33.00
-603616	14	14	60.00	36.00	16.00	9	3.00	1	1	V6036	57.00	33.00
-302420	14	14	30.00	24.00	20.00	5	3.00	—	—	V3024	27.00	21.00
-363020	14	14	36.00	30.00	20.00	7	3.00	1	—	V3630	33.00	27.00
-483620	14	14	48.00	36.00	20.00	8	3.00	1	1	V4836	45.00	33.00
-603620	14	14	60.00	36.00	20.00	9	3.00	1	1	V6036	57.00	33.00
-302424	14	14	30.00	24.00	24.00	5	3.00	—	—	V3024	27.00	23.00

All N4X6 boxes are 14 gauge.



# NEMA Type 4X

## Single Door Clamped Cover Enclosures for Flange Mounted Disconnects

### DN4X Series Stainless Steel Disconnect Enclosures

#### Standard Features

- Continuous hinge (removable hinge pin)
- Wall mounting feet
- Watertight urethane gasket
- Stainless steel clamps and screws
- 3/8" collar studs for optional mounting panel (mounting panels sold separately)
- Grounding studs on inside of box and cover
- Flange cut out for disconnect handle (handle not included)

#### Design Options

- Painted steel and stainless steel mounting panels
- Laser cut entries or cut-outs
- Terminal blocks or other component assembly
- Print Pockets
- Swing panel / dead front panel
- Padlock provisions
- Quick release latches
- Custom sizes
- 12 gauge material thickness
- Drip shields and sun shields
- Special Mounting Provisions

#### Material

- 14 and 16 Gauge / Type 304 or 316L stainless steel
- Stainless steel hardware
- #3 or #4 brushed finish

#### Certifications

- NEMA Type 3, 3R, 4, 4X, 12, and 13
- UL50
- cULus Listed



#### DESIGNED TO HOUSE THE FOLLOWING:

**Allen - Bradley** Bulletin 1494V disconnect switches with flange mounted variable depth operating mechanisms and Bulletin 1494V flange mounted variable depth operating mechanisms for circuit breakers.

**PLEASE NOTE:** Allen Bradley Bulletin 1494V-RI, -R2 and -W2 operating handles and

Allen Bradley Bulletin 1494F disconnect devices or Bulletin 1494D circuit break operators will not fit.

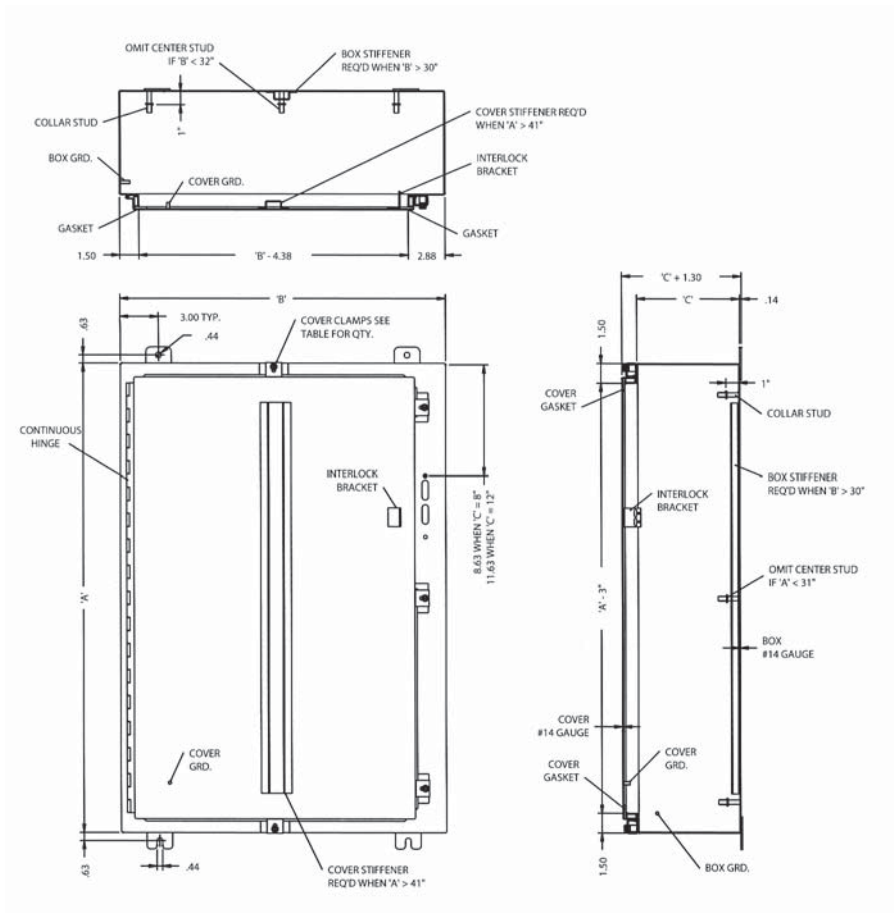
**ABB Controls** Flange mounted variable depth operating mechanisms for disconnect switches and circuit breakers

**Cutler Hammer/ Westinghouse** Type C361 flange mounted variable depth operating mechanisms with disconnect switches and Type C371 flange mounted variable depth operating mechanisms for circuit breakers. Flex Shaft™ operating handles for circuit breakers.

**General Electric** Type STDA flange handles and variable depth operating mechanisms for disconnect switches and circuit breakers. Also Spectra Flex™ cable operators for circuit breakers

**Siemens (I-T-E)** Max Flex™ flange mounted variable depth operating handles for circuit breakers.

**Square D** Class 9422 disconnect switches with flange mounted variable depth operating mechanisms or cable mechanisms and Class 9422 flange mounted variable depth operating mechanisms for circuit breakers.



### STAINLESS STEEL 304 or 316L

ENCLOSURE				MOUNTING PANEL			
Cat #	Box Dimensions			Clamps	Cat #	Dimensions	
DN4X (304) or DN4X6 (316L)	A	B	C	#		Height	Width
-242108	24.00	21.38	8.00	5	V2420	21.00	17.00
-242508	24.00	25.38	8.00	5	V2424	21.00	21.00
-302508	30.00	25.38	8.00	5	V3024	27.00	21.00
-362508	36.00	25.38	8.00	5	V3624	33.00	21.00
-363108	36.00	31.38	8.00	7	V3630	33.00	27.00
-423112	42.00	31.38	12.00	10	V4230	39.00	27.00
-423712	42.00	37.38	12.00	10	V4236	39.00	33.00
-483712	48.00	37.38	12.00	10	V4836	45.00	33.00
-603712	60.00	37.38	12.00	11	V6036	57.00	33.00

# NEMA Type 4X

Stainless Steel

## Quarter Turn Victory Series Enclosures

### AVSS Series Stainless Steel Enclosures

#### Standard Features

- Hinged cover with removable stainless steel hinge pin
- Polyamide coated zinc slotted quarter turn latch
- Watertight urethane gasket
- 3/8" collar studs for optional mounting panel (mounting panels sold separately)
- Grounding studs on inside of box and cover
- Hinge Stiffener

#### Design Options

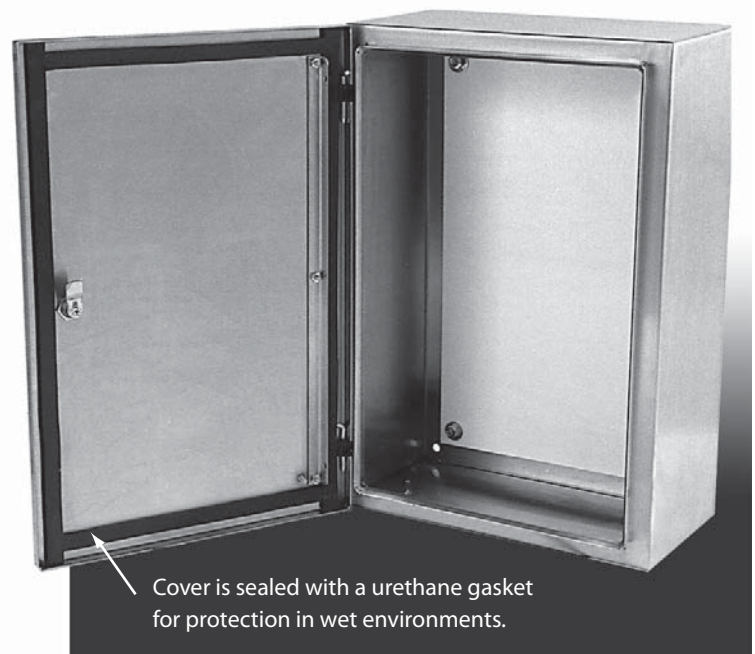
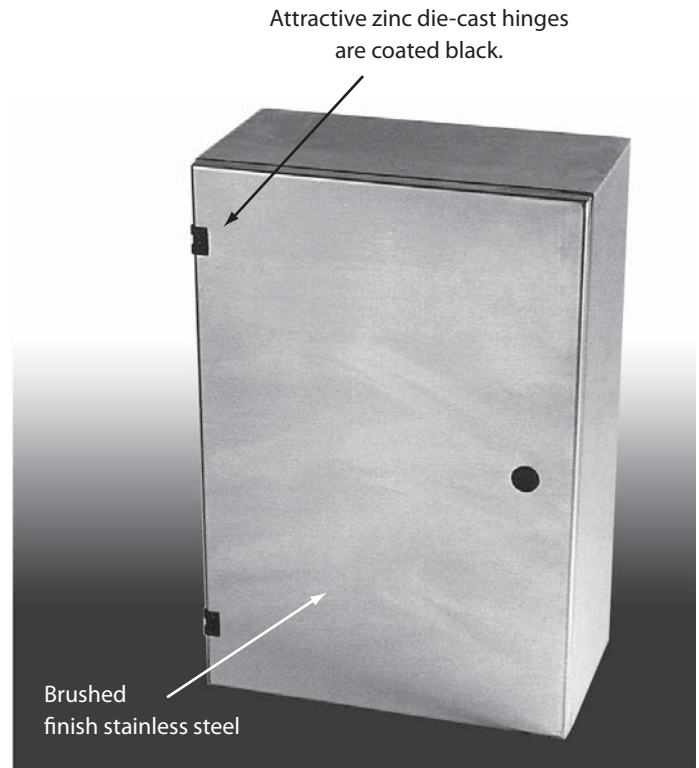
- Painted steel and stainless steel mounting panels
- Laser cut entries or cut-outs
- Terminal blocks or other component assembly
- Print pockets
- Swing panel / dead front panel
- Epoxy paint or powder coating
- Custom sizes
- 12 gauge material thickness
- Drip shields and sun shields
- Window kits
- Various quarter turn inserts

#### Material

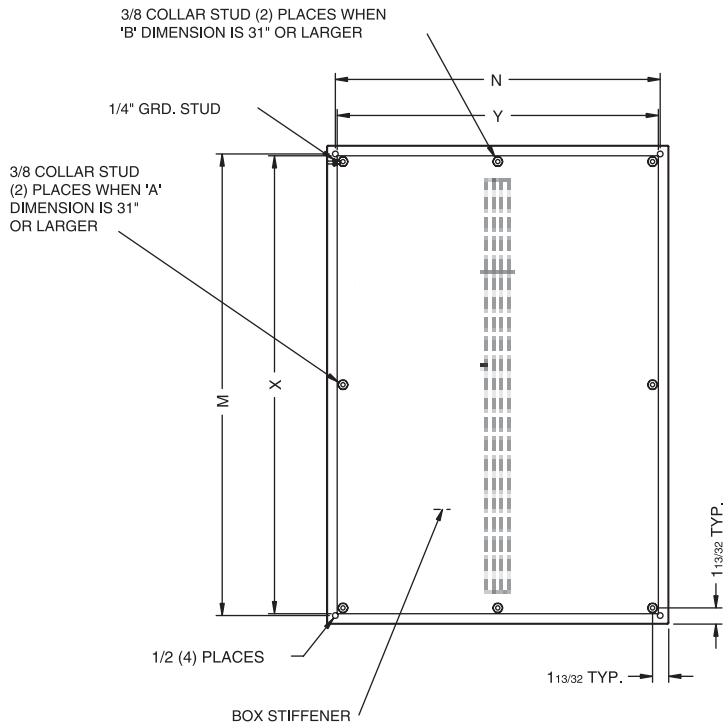
- 14 and 16 gauge / Type 304 or 316L stainless steel
- Stainless steel hardware
- #3 / #4 brushed finish

#### Certifications

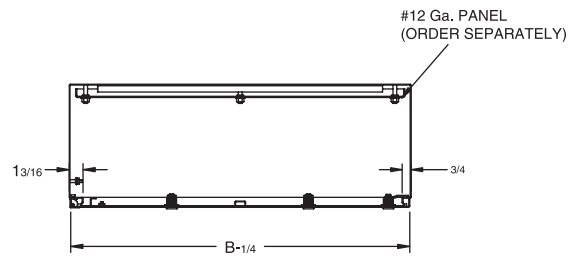
- NEMA Type 3, 3R, 4, 4X, 12, and 13
- UL50
- cULus Listed



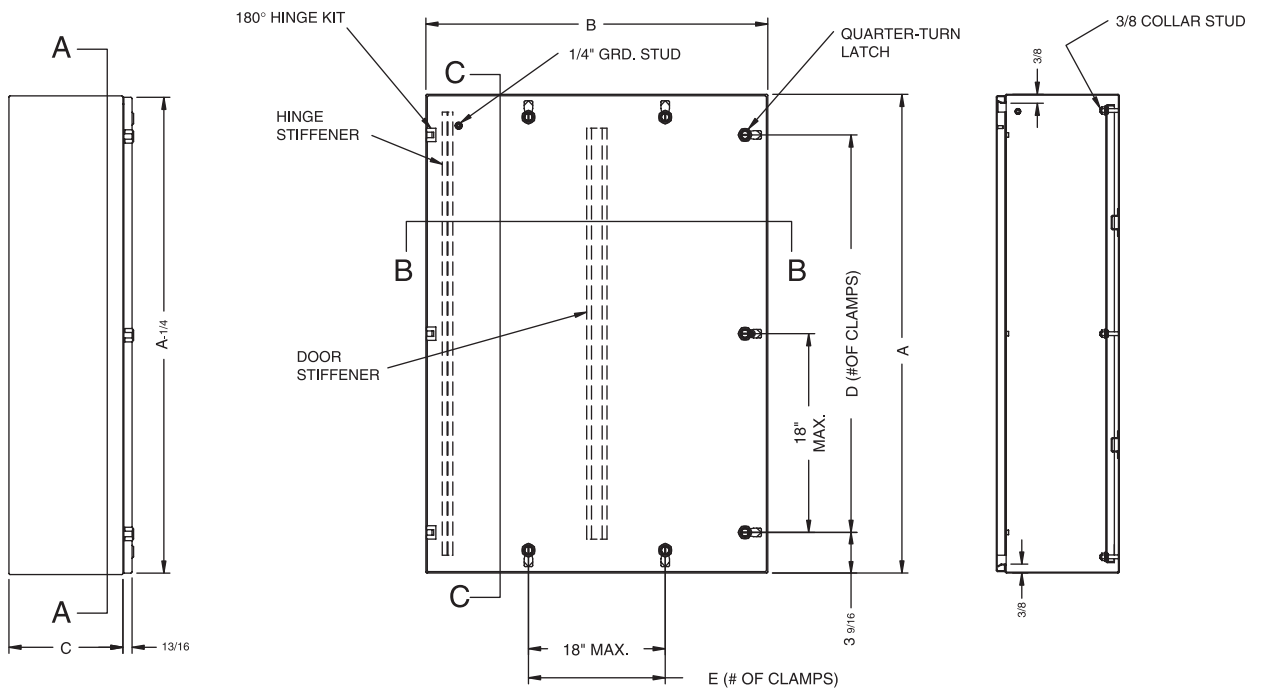
# NEMA Type 4X



SECTION A-A



SECTION B-B



SECTION C-C

# NEMA Type 4X

Stainless Steel

## Victory Series Enclosures

### STAINLESS STEEL 304 or 316L

AVSS or AVSS6	Gauge Thickness		Box Dimensions			Latches		Stiffeners		Mounting Ctrs.		Panel Cat #	Panel Dim.	
	Box	Door	A	B	C	D	E	Box	Door	M	N	Optional	X	Y
-121206	16	16	12.00	12.00	6.00	1	-	-	-	10.50	10.50	V1212	9	9
-161206	16	16	16.00	12.00	6.00	1	-	-	-	14.50	10.50	V1612	13	9
-161606	16	16	16.00	16.00	6.00	1	-	-	-	14.50	14.50	V1616	13	13
-201606	16	16	20.00	16.00	6.00	2	-	-	-	18.50	14.50	V2016	17	13
-202006	16	16	20.00	20.00	6.00	2	-	-	-	18.50	18.50	V2020	17	17
-241606	16	16	24.00	16.00	6.00	2	-	-	-	22.50	14.50	V2416	21	13
-242006	16	16	24.00	20.00	6.00	2	-	-	-	22.50	18.50	V2420	21	17
-242406	16	14	24.00	24.00	6.00	2	-	-	-	22.50	22.50	V2424	21	21
-161208	16	16	16.00	12.00	8.00	1	-	-	-	14.50	10.50	V1612	13	9
-161608	16	16	16.00	16.00	8.00	1	-	-	-	14.50	10.50	V1616	13	13
-162008	16	16	16.00	20.00	8.00	1	-	-	-	14.50	18.50	V1620	13	17
-201608	16	16	20.00	16.00	8.00	2	-	-	-	18.50	14.50	V2016	17	13
-202008	16	16	20.00	20.00	8.00	2	-	-	-	18.50	18.50	V2020	17	17
-202408	16	16	20.00	24.00	8.00	2	-	-	-	18.50	22.50	V2024	17	21
-241608	16	16	24.00	16.00	8.00	2	-	-	-	22.50	14.50	V2416	21	13
-242008	16	16	24.00	20.00	8.00	2	-	-	-	22.50	18.50	V2420	21	17
-242408	16	14	24.00	24.00	8.00	2	-	-	-	22.50	22.50	V2424	21	21
-243008	14	14	24.00	30.00	8.00	2	1	-	-	22.50	28.50	V2430	21	27
-302008	16	14	30.00	20.00	8.00	3	-	-	-	28.50	18.50	V3020	27	17
-302408	16	14	30.00	24.00	8.00	3	-	-	-	28.50	22.50	V3024	27	21
--303008	14	14	30.00	30.00	8.00	3	1	1	-	28.50	28.50	V3030	27	27
-362408	14	14	36.00	24.00	8.00	3	-	-	-	34.50	28.50	V3624	33	27
-363008	14	14	36.00	30.00	8.00	3	1	1	-	34.50	28.50	V3630	33	27
-363608	14	14	36.00	36.00	8.00	3	2	1	1	34.50	34.50	V3636	33	33
-202012	16	16	20.00	20.00	12.00	2	-	-	-	18.50	18.50	V2020	17	17
-242012	16	16	24.00	20.00	12.00	2	-	-	-	22.50	18.50	V2420	21	17
-242412	16	14	24.00	24.00	12.00	2	-	-	-	22.50	22.50	V2424	21	21
-302412	16	14	30.00	24.00	12.00	3	-	-	-	28.50	22.50	V3024	27	21
-303012	14	14	30.00	30.00	12.00	3	1	1	-	28.50	28.50	V3030	29	27
-362412	14	14	36.00	24.00	12.00	3	-	-	-	34.50	22.50	V3624	33	21
-363012	14	14	36.00	30.00	12.00	3	1	1	-	34.50	28.50	V3630	33	27
-363612	14	14	36.00	36.00	12.00	3	2	1	1	34.50	34.50	V3636	33	33
-423612	14	14	42.00	36.00	12.00	3	2	1	1	40.50	34.50	V4236	39	33
-483612	14	14	48.00	36.00	12.00	4	2	1	1	46.50	34.50	V4836	45	33
-603612	14	14	60.00	36.00	12.00	4	2	1	1	58.50	34.50	V6036	57	33
-242416	14	14	24.00	24.00	16.00	2	-	-	-	22.50	22.50	V2424	21	21
-363016	14	14	36.00	30.00	16.00	3	1	1	-	34.50	28.50	V3630	33	27
-483616	14	14	48.00	36.00	16.00	4	2	1	1	46.50	34.50	V4836	45	33
-242420	14	14	24.00	24.00	20.00	2	-	-	-	22.50	22.50	V2424	21	21
-302420	14	14	30.00	24.00	20.00	3	-	-	-	28.50	22.50	V3024	27	21
-363020	14	14	36.00	30.00	20.00	3	1	1	-	34.50	28.50	V3630	33	27

All AVSS6 316L boxes and covers are 14 gauge.

# Wall Mounted Double Door Series

## WMDD Stainless Steel Enclosures

### Standard Features

- Continuous hinge (removable hinge pin)
- Wall mounting feet
- Watertight urethane gasket
- Lockable 3 point latch handle
- Heavy duty Type 316 lifting bolts
- Removable center post for panel installation
- Print pocket
- 3/8" Collar studs for optional mounting panel (mounting panels sold separately)
- Grounding studs on inside of box and cover

### Design Options

- Painted steel and stainless steel mounting panels
- Laser cut entries or cut-outs
- Terminal blocks or other component assembly
- Print pockets
- Swing panel / dead front panel
- Louvers, fans and filters
- Epoxy paint or powder coating
- Custom sizes
- Drip shields and sun shields
- Window kits

### Material

- 12 and 14 gauge / Type 304 or 316L stainless steel
- Stainless steel hardware
- #3 / #4 brushed finish

### Certifications

- NEMA Type 3, 3R, 4, 4X, 12, and 13
- UL50
- cULus Listed



Padlockable 3-Point Latch  
for Security & Ease of Use



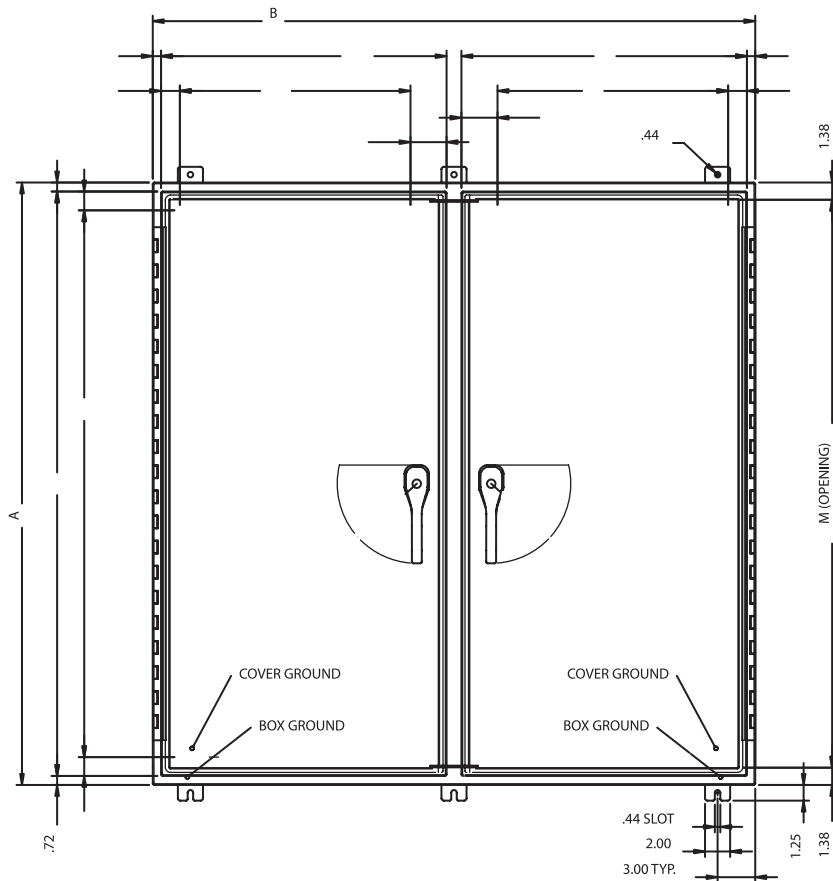
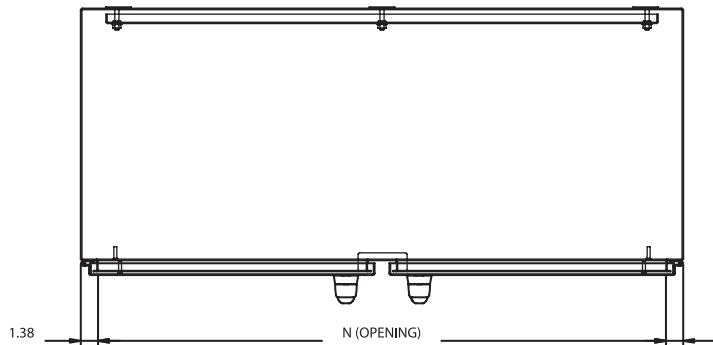
Door is 14 gauge Type 304  
or Type 316L stainless steel

# NEMA Type 4X

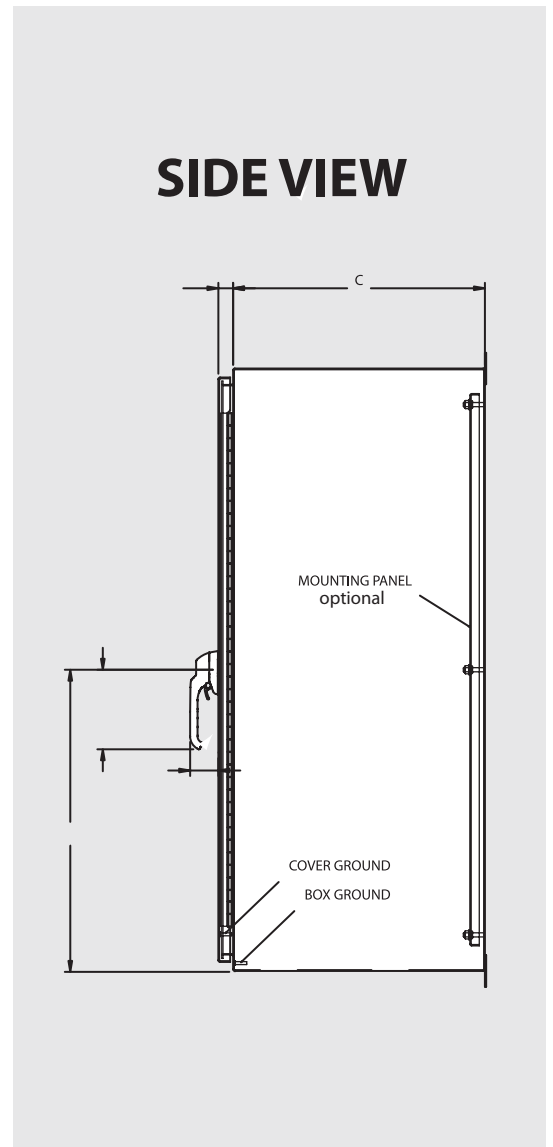
Stainless Steel

## Wall-Mount Double-Door Series

TOP VIEW



SIDE VIEW



# Wall-Mount Double-Door Enclosures

## N4X-WMDD

Catalog Number*	A	B	C	M	N
N4X-244208WMDD	24.00	42.00	8.00	21.25	39.25
N4X-244808WMDD	24.00	48.00	8.00	21.25	45.25
N4X-304210WMDD	30.00	42.00	10.00	27.25	39.25
N4X-304810WMDD	30.00	48.00	10.00	27.25	45.25
N4X-306010WMDD	30.00	60.00	10.00	27.25	57.25
N4X-364212WMDD	36.00	42.00	12.00	33.25	39.25
N4X-364812WMDD	36.00	48.00	12.00	33.25	45.25
N4X-366012WMDD	36.00	60.00	12.00	33.25	57.25
N4X-424212WMDD	42.00	42.00	12.00	39.25	39.25
N4X-424812WMDD	42.00	48.00	12.00	39.25	45.25
N4X-426012WMDD	42.00	60.00	12.00	39.25	57.25
N4X-484812WMDD	48.00	48.00	12.00	45.25	45.25

\*NOTE: for Type 316L Stainless Steel, substitute catalog prefix N4X with N4X6.



# NEMA Type 4X

## Free Standing Single Door Enclosures

### FSSD Series Stainless Steel Enclosures

#### Standard Features

- Single and dual access versions available
- Continuous hinge (removable hinge pin)
- Watertight urethane gasket
- Lockable 3 point latch handle
- Heavy duty Type 316 lifting bolts
- Mounting panel channels for depth adjustment
- Print pocket
- 3/8" Collar studs for optional mounting panel (mounting panels sold separately)
- Grounding studs on inside of box and cover

#### Design Options

- Painted steel and stainless steel mounting panels
- Laser cut entries or cut-outs
- Terminal blocks or other component assembly
- Swing panel / dead front panel
- Louvers, fans and filters
- Epoxy paint or powder coating
- Custom sizes
- Drip shields and sun shields
- Window kits

#### Material

- 12 and 14 gauge / Type 304 or 316L stainless steel
- Stainless steel hardware
- #3 / #4 brushed finish

#### Certifications

- NEMA Type 3, 3R, 4, 4X, 12, and 13
- UL50
- cULus Listed

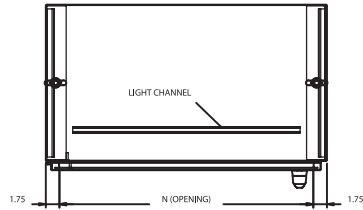


Padlockable 3-Point Latch  
for Security  
& Ease of Use

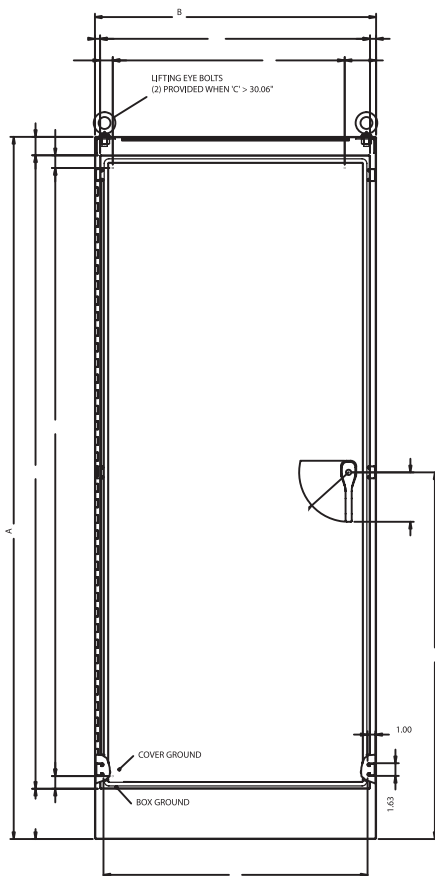
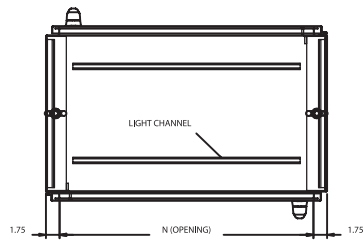


# Free-Standing Single-Door Enclosures

TOP VIEW

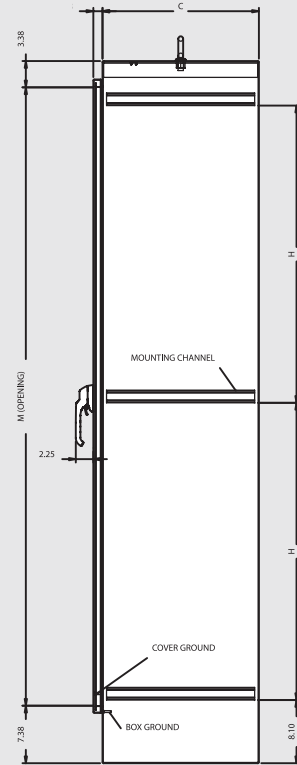


N4X-FSDA-DUAL ACCESS

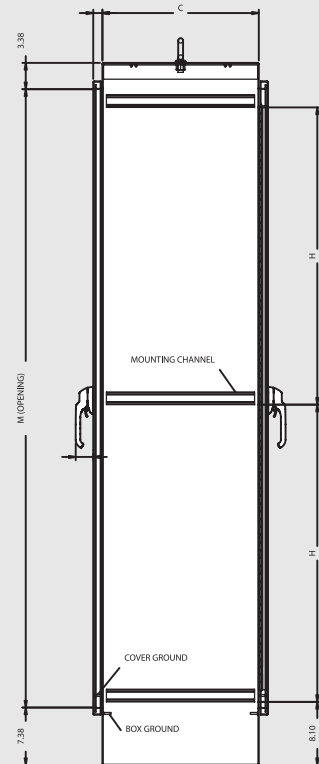


SIDE VIEW

N4X-FSSD  
SINGLE ACCESS



N4X-FSDA  
DUAL ACCESS



# Free-Standing Single-Door Enclosures

## N4X-FSSD-SINGLE ACCESS

Catalog Number*	A	B	C	F	G	H	J	M	N
N4X-602418FSSD	60.06	24.06	18.06	22.63	32.03	23.13	22.06	49.31	20.56
N4X-722418FSSD	72.06	24.06	18.06	22.63	38.03	29.13	22.06	61.31	20.56
N4X-723018FSSD	72.06	30.06	18.06	28.63	38.03	29.13	28.06	61.31	26.56
N4X-723618FSSD	72.06	36.06	18.06	34.63	38.03	29.13	34.06	61.31	32.56
N4X-902420FSSD	90.06	24.06	20.06	22.63	47.03	38.13	22.06	79.31	20.56
N4X-903620FSSD	90.06	36.06	20.06	34.63	47.03	38.13	34.06	79.31	32.56
N4X-603624FSSD	60.06	36.06	24.06	34.63	32.03	23.13	34.06	49.31	32.56
N4X-722424FSSD	72.06	24.06	24.06	22.63	38.03	29.13	22.06	61.31	20.56
N4X-723024FSSD	72.06	30.06	24.06	28.63	38.03	29.13	28.06	61.31	26.56
N4X-723624FSSD	72.06	36.06	24.06	34.63	38.03	29.13	34.06	61.31	32.56
N4X-903624FSSD	90.06	36.06	24.06	34.63	47.03	38.13	34.06	79.31	32.56
N4X-723630FSSD	72.06	36.06	30.06	34.63	38.03	29.13	34.06	61.31	32.56
N4X-723636FSSD	72.06	36.06	36.06	34.63	38.03	29.13	34.06	61.31	32.56
N4X-903636FSSD	90.06	36.06	36.06	34.63	47.03	38.13	34.06	79.31	32.56

\*NOTE: for Type 316L Stainless Steel, substitute catalog prefix N4X with N4X6.

## N4X-FSDA-DUAL ACCESS

Catalog Number*	A	B	C	F	G	H	J	M	N
N4X-722424FSDA	72.06	24.06	24.06	22.63	38.03	29.13	22.06	61.31	20.56
N4X-723024FSDA	72.06	30.06	24.06	28.63	38.03	29.13	28.06	61.31	26.56
N4X-723624FSDA	72.06	36.06	24.06	34.63	38.03	29.13	34.06	61.31	32.56
N4X-903624FSDA	90.06	36.06	24.06	34.63	47.03	38.13	34.06	79.31	32.56
N4X-722430FSDA	72.06	24.06	30.06	22.63	38.03	29.13	22.06	61.31	20.56
N4X-722436FSDA	72.06	24.06	36.06	22.63	38.03	29.13	22.06	61.31	20.56
N4X-723636FSDA	72.06	36.06	36.06	34.63	38.03	29.13	34.06	61.31	32.56
N4X-903636FSDA	90.06	36.06	36.06	34.63	47.03	38.13	34.06	79.31	32.56

\*NOTE: for Type 316L Stainless Steel, substitute catalog prefix N4X with N4X6.

# Free Standing Double Door Enclosures

## FSDD Series Stainless Steel Enclosures

### Standard Features

- Single and dual access versions available
- Continuous hinge (removable hinge pin)
- Watertight urethane gasket
- Lockable 3 point latch handle
- Heavy duty Type 316 lifting bolts
- Removable center post for panel installation
- Print pocket
- 3/8" Collar studs for optional mounting panel (mounting panels sold separately)
- Grounding studs on inside of box and cover

### Design Options

- Painted steel and stainless steel mounting panels
- Laser cut entries or cut-outs
- Terminal blocks or other component assembly
- Swing panel / dead front panel
- Louvers, fans and filters
- Epoxy paint or powder coating
- Custom sizes
- Drip shields and sun shields
- Window kits

### Material

- 12 and 14 gauge / Type 304 or 316L stainless steel
- Stainless steel hardware
- #3 / #4 brushed finish

### Certifications

- NEMA Type 3, 3R, 4, 4X, 12, and 13
- UL50
- cULus Listed



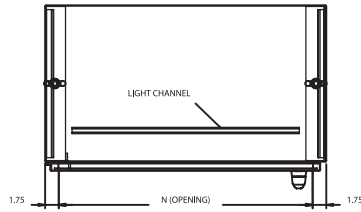
# NEMA Type 4X

Stainless Steel

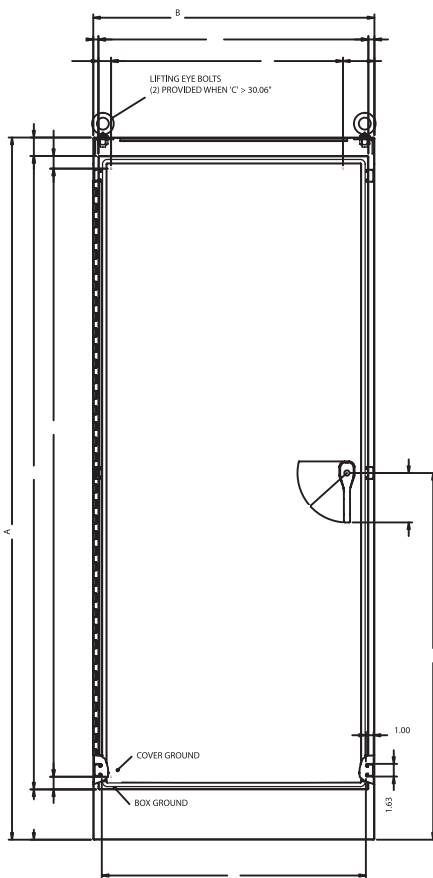
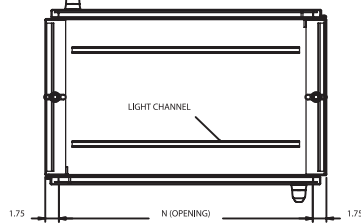
## Free-Standing Double-Door Enclosures

TOP VIEW

**N4X-FSDD-SINGLE ACCESS**

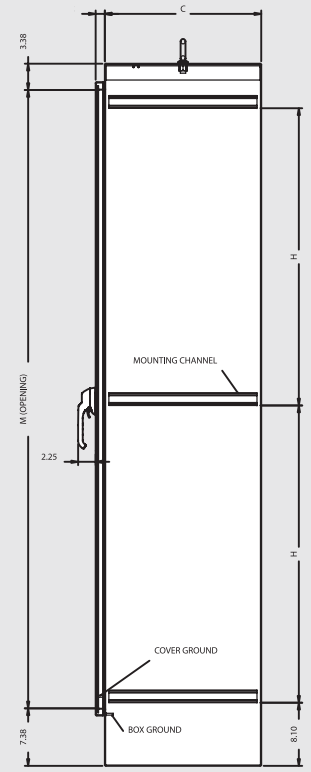


**N4X-FSDDDA-DUAL ACCESS**

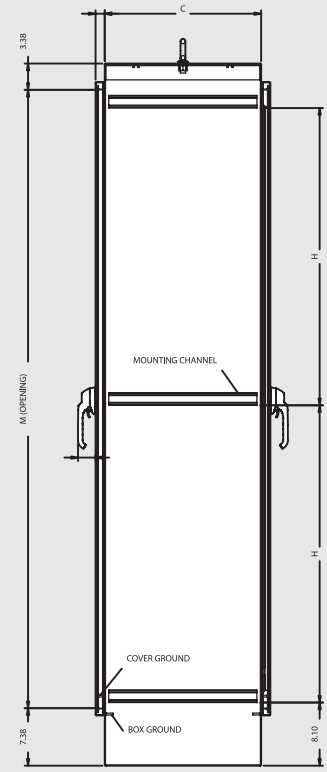


SIDE VIEW

**N4X-FSDD  
SINGLE ACCESS**



**N4X-FSDDDA  
DUAL ACCESS**



# Free-Standing Double-Door Enclosures

## N4X-FSDD-SINGLE ACCESS

Catalog Number*	A	B	C	H	J	K	L
N4X-604818FSDD	60.06	48.06	18.06	23.13	46.06	49.31	44.56
N4X-724818FSDD	72.06	48.06	18.06	29.13	46.06	61.31	44.56
N4X-726018FSDD	72.06	60.06	18.06	29.13	58.06	61.31	56.56
N4X-727218FSDD	72.06	72.00	18.06	29.13	70.06	61.31	68.56
N4X-904820FSDD	90.06	48.06	20.06	38.13	46.06	79.31	44.56
N4X-907220FSDD	90.06	72.06	20.06	38.13	70.06	79.31	68.56
N4X-724824FSDD	72.06	48.06	24.06	29.13	46.06	61.31	44.56
N4X-726024FSDD	72.06	60.06	24.06	29.13	58.06	61.31	56.56
N4X-727224FSDD	72.06	72.00	24.06	29.13	70.06	61.31	68.56
N4X-907224FSDD	90.06	72.00	24.06	38.13	70.06	79.31	68.56
N4X-726036FSDD	72.06	60.06	36.06	29.13	58.06	61.31	56.56
N4X-907236FSDD	90.06	72.00	36.06	38.13	70.06	79.31	68.56

\*NOTE: for Type 316L Stainless Steel, substitute catalog prefix N4X with N4X6.

## N4X-FSDDDA-DUAL ACCESS

Catalog Number*	A	B	C	H	J	L	M	N
N4X-724824FSDDDA	72.06	48.06	24.06	29.13	46.06	17.75	61.31	44.56
N4X-726024FSDDDA	72.06	60.06	24.06	29.13	58.06	23.75	61.31	56.56
N4X-727224FSDDDA	72.06	72.06	24.06	29.13	70.06	29.75	61.31	68.56
N4X-907224FSDDDA	90.06	72.06	24.06	38.13	70.06	29.75	79.31	68.56
N4X-726036FSDDDA	72.06	60.06	36.06	29.13	58.06	23.75	61.31	56.56

\*NOTE: for Type 316L Stainless Steel, substitute catalog prefix N4X with N4X6.

# NEMA Type 4X

## Floor Mount Double Door Enclosures

### FMDD Series Stainless Steel Enclosures

#### Standard Features

- Single and dual access versions available
- Continuous hinge (removable hinge pin)
- 12" floor stand kit (other heights available)
- Watertight urethane gasket
- Lockable 3 point latch handle
- Heavy duty Type 316 lifting bolts
- Removable center post for panel installation
- Print pocket
- Collar studs for optional mounting panel (mounting panels sold separately)
- Grounding studs on inside of box and cover

#### Design Options

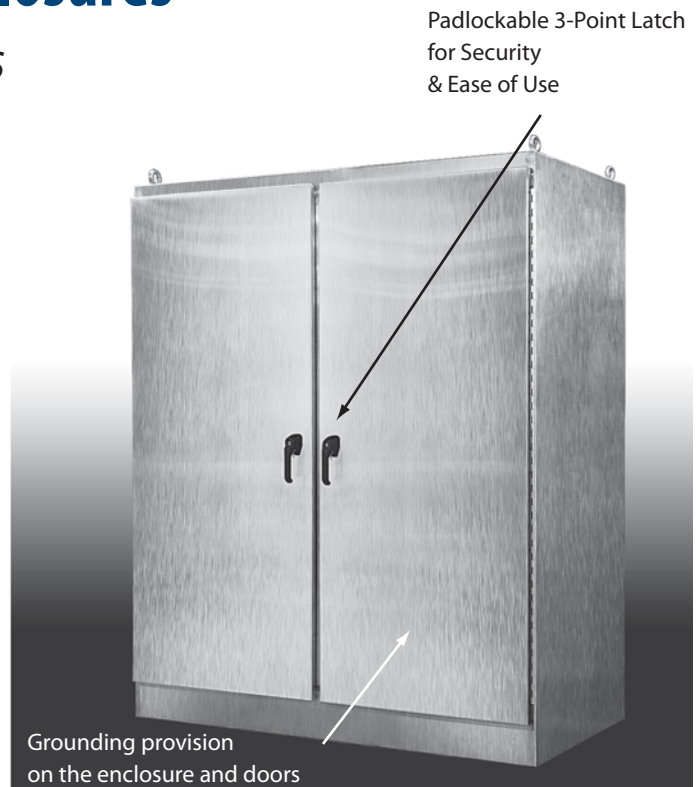
- Painted steel and stainless steel mounting panels
- Laser cut entries or cut-outs
- Terminal blocks or other component assembly
- Swing panel / dead front panel
- Louvers, fans and filters
- Epoxy paint or powder coating
- Custom sizes
- Drip shields and sun shields
- Window kits

#### Material

- 12 and 14 gauge / Type 304 or 316L stainless steel
- Stainless steel hardware
- #3 / #4 brushed finish

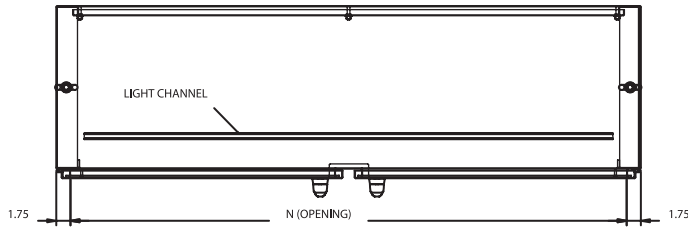
#### Certifications

- NEMA Type 3, 3R, 4, 4X, 12, and 13
- UL50
- cULus Listed

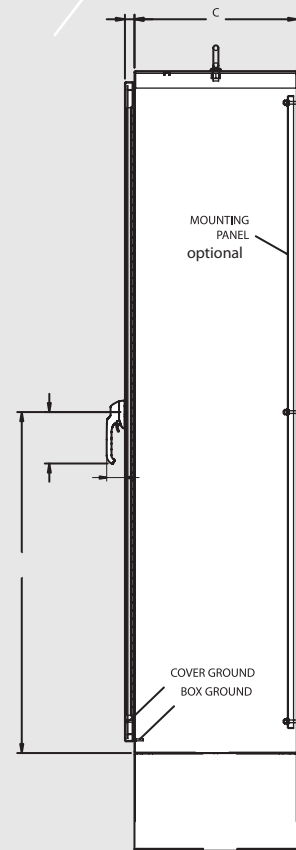
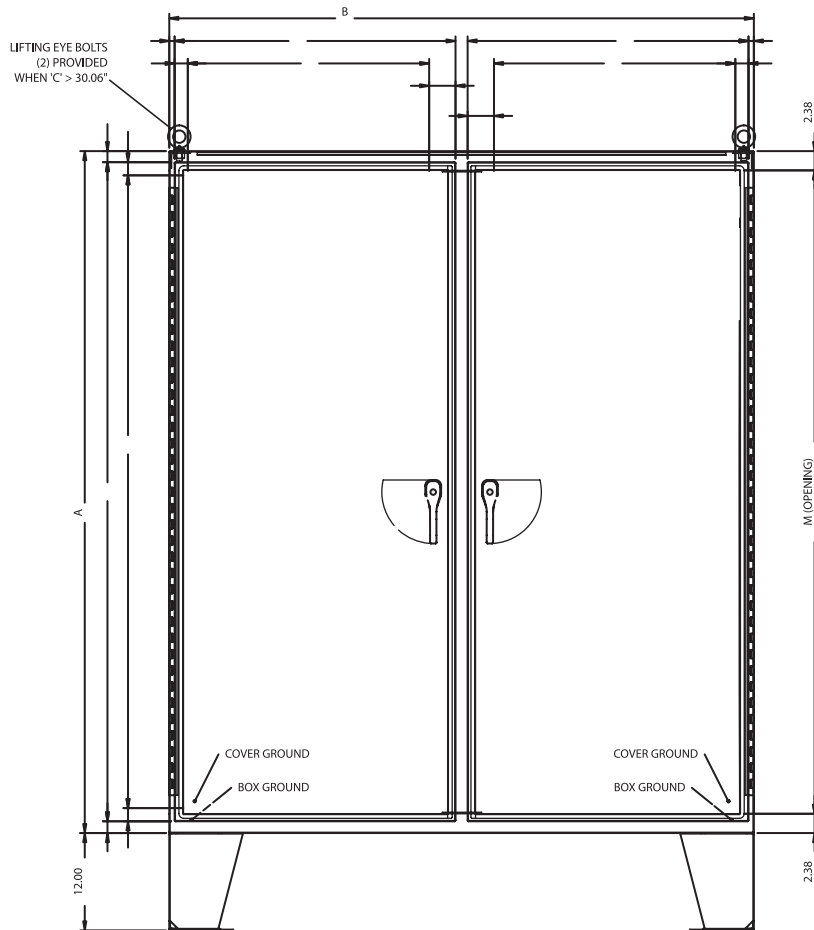


## Floor-Mount Double-Door Enclosures

TOP VIEW



SIDE VIEW





# Floor-Mount Double-Door Enclosures

## N4X-FMDD

Catalog Number*	A	B	C	M	N
N4X-544208FMDD	52.00	42.06	8.06	49.31	38.56
N4X-624808FMDD	60.00	48.06	8.06	57.31	44.56
N4X-624810FMDD	60.00	48.06	10.06	57.31	44.56
N4X-626010FMDD	60.00	60.06	10.06	57.31	56.56
N4X-746010FMDD	72.00	60.06	10.06	69.31	56.56
N4X-747210FMDD	72.00	72.00	10.06	69.31	68.56
N4X-624812FMDD	60.00	48.06	12.06	57.31	44.56
N4X-626012FMDD	60.00	60.06	12.06	57.31	68.56
N4X-746012FMDD	72.00	60.06	12.06	69.31	56.56
N4X-747212FMDD	72.00	72.00	12.06	69.31	68.56
N4X-624816FMDD	62.00	48.06	16.06	57.31	44.56
N4X-626016FMDD	62.00	60.06	16.06	57.31	56.56
N4X-746016FMDD	72.00	60.06	16.06	69.31	56.56
N4X-747216FMDD	72.00	72.00	16.06	69.31	68.56
N4X-624818FMDD	60.00	48.06	18.06	57.31	44.56
N4X-624820FMDD	60.00	48.06	20.06	57.31	44.56
N4X-746020FMDD	72.00	60.06	20.06	69.31	56.56
N4X-747220FMDD	72.00	72.00	20.06	69.31	68.56
N4X-624824FMDD	60.00	48.06	24.06	57.31	44.56
N4X-626024FMDD	60.00	60.06	24.06	57.31	56.56
N4X-746024FMDD	72.00	60.06	24.06	69.31	56.56
N4X-747224FMDD	72.00	72.00	24.06	69.31	68.56

\*NOTE: for Type 316L Stainless Steel, substitute catalog prefix N4X with N4X6.

## Powerwash/Pumpstation Stainless Steel Enclosures

### Standard Features

- Concealed hinge with removable stainless steel pins
- Wall mounting feet
- Stainless steel slotted quarter turn latch
- Seamless, poured one-piece polyurethane watertight gasket
- Gasket retainer
- 3/8 - 16 x 1" collar studs for optional mounting panel (mounting panels sold separately)
- Grounding studs on inside of box and cover

### Design Options

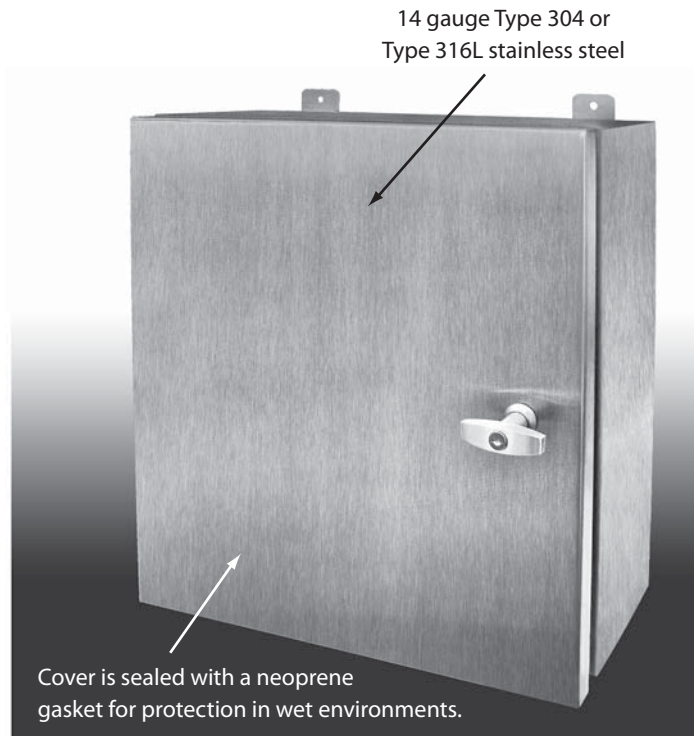
- Painted steel and stainless steel mounting panels
- Laser cut entries or cut-outs
- Wing knob and keyed handle inserts
- Terminal blocks or other component assembly
- Print pockets
- Swing panel / dead front panel
- Epoxy paint or powder coating
- Window kits
- Drip shields and sun shields
- Door prop / cover support
- Convenience outlet
- Lighting package
- Custom sizes

### Materials

- 14 gauge / Type 304 or 316L stainless steel
- Stainless steel hardware
- #3 / #4 brushed finish

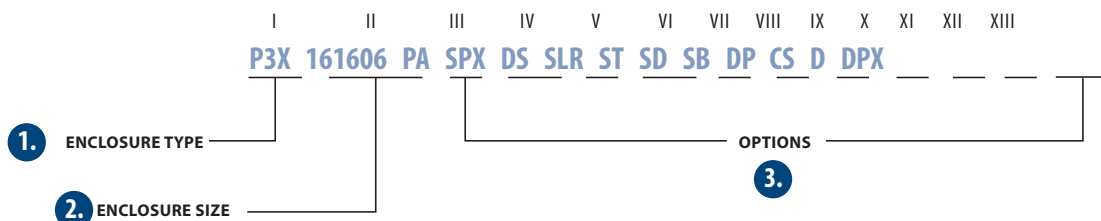
### Certifications

- NEMA Type 3, 3R, 4, 4X, 12, and 13
- UL50
- cULus Listed



## Create Your Enclosure Build your part # by following these 3 easy steps:

1. Select your enclosure type
2. Select your enclosure size
3. Select your options



# NEMA Type 4X

OPTIONS		
Build #	Cat #	Description
III	<b>Latch, Q-Turn Subs.</b>	
	WK	Wing Knob Quarter Turns
	-PWK	Padlockable Wing Knob Quarter Turns
IV	<b>Mounting Panels</b>	
	-P	12 Gauge, Stainless Steel, Powder Coated White
	-PX	12 Gauge, Stainless Steel 304
	-PX6	12 Gauge, Stainless Steel 316L
	-PA	.125" Thick, Aluminum 6061
V	<b>Swing Panels</b>	
	-SP	12 Gauge, Stainless Steel, Powder Coated White
	-SPX	12 Gauge, Stainless Steel 304
	-SPX6	12 Gauge, Stainless Steel 316L
	-SPA	.125" Thick, Aluminum 6061
VI	<b>Drip Shield</b>	
	-DS	Drip Shield Installed
VII	<b>Sun Shields (L &amp; R)</b>	
	-SLR	Installed Left & Right Side, Stainless Steel
	-SLRP	Installed Left & Right Side, Stainless Steel Polyester Powder Coated White
VIII	<b>Sun Shields (Top)</b>	
	-ST	Installed Top Side, Stainless Steel
	-SLRP	Installed Left & Right Side, Stainless Steel Polyester Powder Coated White
IX	<b>Sun Shields (Door)</b>	
	-SD**	Installed Door - 3PT Latch, Stainless Steel
	-SLRP	Installed Left & Right Side, Stainless Steel Polyester Powder Coated White
	-SDQ	Installed Door - QTR. Turn, Stainless Steel
	-SLRP	Installed Left & Right Side, Stainless Steel Polyester Powder Coated White
X	<b>Sun Shields (Back)</b>	
	-SB	Installed Back Side - Stainless Steel
	-SLRP	Installed Left & Right Side, Stainless Steel Polyester Powder Coated White
XI	<b>Door Prop</b>	
	-DP	Door Prop Rod Supplied
XII	<b>Cover Support</b>	
	-CS	Cover Support Installed
XIII	<b>Convenience Outlet</b>	
	-CO	Duplex 125V 20A GFI Receptacle Installed on Swing Panel XIII
XIV	<b>Magnetic Contact</b>	
	-MC	Closed Loop, 100V AC/DC, .5A Max., Installed
XV	<b>Lighting Packages</b>	
	-LPI	1" x 12 1/4", 120V, 8W T5 Bulb, Elect. Ballast, 15A Outlet
	-LP2	1" x 21 1/4", 120V, 13W T5 Bulb, Elect. Ballast, 15A Outlet
	-LP3	1" x 33 1/2", 120V, 8&13W T5 Bulb, Elect. Ballast, 15A Outlet
XVI	<b>Data Pocket</b>	
	-DPP	Plastic Data Pocket
	-DPX	Stainless Steel Data Pocket
XVII	<b>Cooling Fan</b>	
	-CF1	4" Sq., 115 V, 50/60 HZ, 85/100 CFM, .26/.21 A
	-CF2	6" Dia., 115 V, 50/60 HZ, 200/240 CFM, .45/.36 A
	-CF3	10" Dia., 115 V, 50/60 HZ, 480/560 CFM, 1.0/.88 A

## I - ENCLOSURE TYPE

Prefix	Description
P3X	UL/cUL Type 3R, Padlockable 3-PT Latch, SS304
P12X	UL/cUL Type 12, Padlockable 3-PT Latch, SS304
P4X	UL/cUL Type 4X, Padlockable 3-PT Latch SS304
P3QX	UL/cUL Type 3R, Slotted Quarter Turn, SS304
P12XQ	UL/cUL Type 12, Slotted Quarter Turn, SS304
P4XQ	UL/cUL Type 4X, Slotted Quarter Turn, SS304
P3X6	UL/cUL Type 3R, Padlockable 3-PT Latch, SS316L
P12X6	UL/cUL Type 12, Padlockable 3-PT Latch, SS316L
P4X6	UL/cUL Type 4X, Padlockable 3-PT Latch, SS316L
P3X6Q	UL/cUL Type 3R, Slotted Quarter Turn, SS316L
P12X6Q	UL/cUL Type 12, Slotted Quarter Turn, SS316L
P4X6Q	UL/cUL Type 4X, Slotted Quarter Turn, SS316L

## II - ENCLOSURE SIZE

Cat #	L (in.)	W (in.)	D (in.)	Cat #	L (in.)	W (in.)	D (in.)
-161606	16	16	6	-242010	24	20	10
-162006	16	20	6	-242410	24	24	10
-201606	20	16	6	-302410	30	24	10
-202006	20	20	6	-362410	36	24	10
-202406	20	24	6	-363010	36	30	10
-241206	24	12	6	-423010	42	30	10
-241606	24	16	6	-423610	42	36	10
-242006	24	20	6	-483610	48	36	10
-242406	24	24	6	-603610	60	36	10
-302006	30	20	6	-201612	20	16	12
-302406	30	24	6	-242012	24	20	12
-362406	36	24	6	-242412	24	24	12
-363006	36	30	6	-302412	30	24	12
-161208	16	12	8	-303012	30	30	12
-161608	16	16	8	-362412	36	24	12
-162008	16	20	8	-363012	36	30	12
-201608	20	16	8	-363612	36	36	12
-202008	20	20	8	-423012	42	30	12
-202408	20	24	8	-423612	42	36	12
-241608	24	16	8	-483612	48	36	12
-242008	24	20	8	-603612	60	36	12
-242408	24	24	8	-242016	24	20	16
-243008	24	30	8	-242416	24	24	16
-302008	30	20	8	-302416	30	24	16
-302408	30	24	8	-363016	36	30	16
-303008	30	30	8	-423616	42	36	16
-362408	36	24	8	-483616	48	36	16
-363008	36	30	8	-603616	60	36	16
-363608	36	36	8	-302420	30	24	20
-423008	42	30	8	-363020	36	30	20
-423608	42	36	8	-483620	48	36	20
-483608	48	36	8	-603620	60	36	20
-201610	20	16	10	-302424	30	24	24
-202010	20	20	10				

## Window Kits

### Standard Features

- Type 304 and 316 stainless steel frame and retaining plate
- Watertight silicone gasket
- Stainless steel hardware
- Tempered plate glass
- Installed on any stainless steel enclosure 14-16 gauge material
- Various sizes from 3x3 through 24x24

### Construction Material

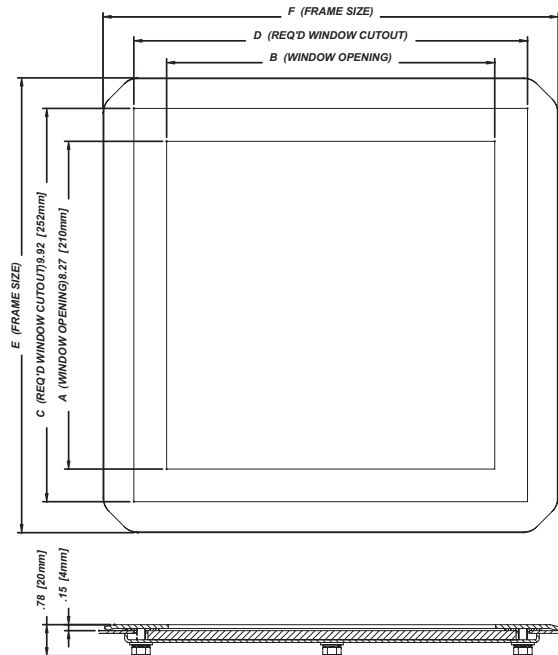
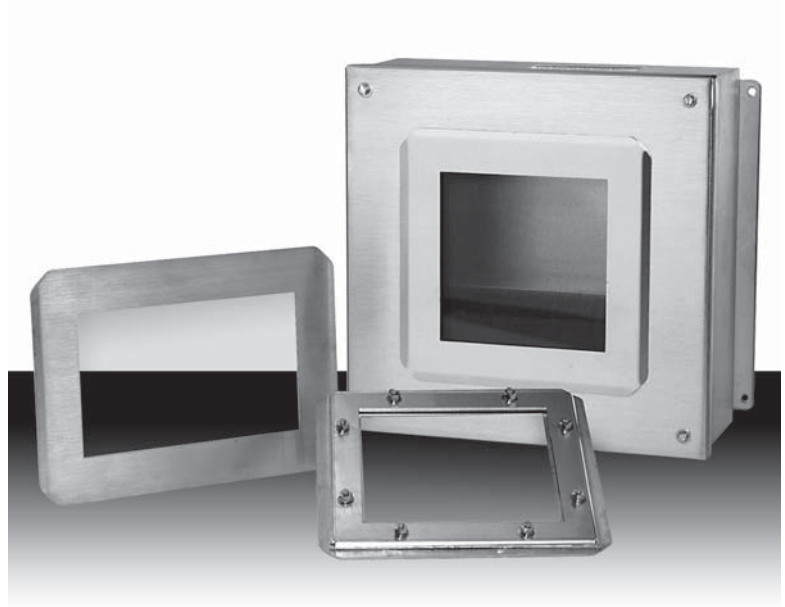
- 12\* and 14 gauge / Type 304 or 316L stainless steel
- Stainless steel hardware
- #3 / #4 brushed finish

### Certifications

- NEMA Type 3, 3R, 4, 4X, 12 and 13
- UL50
- cULus Listed

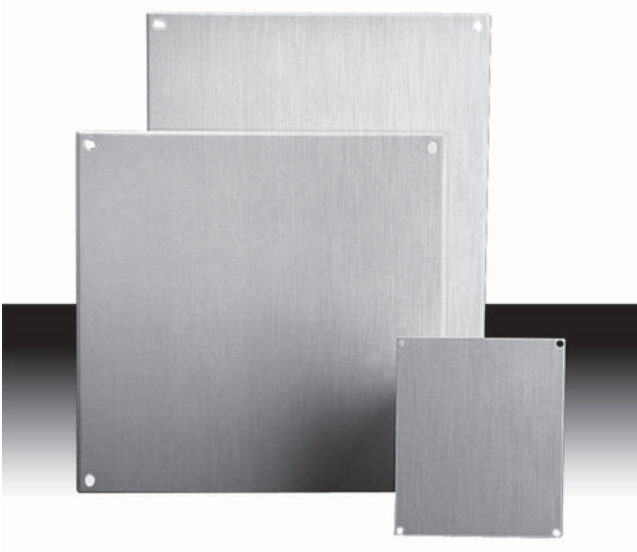


\* 12 gauge applications require custom modifications.



EWK WINDOW KITS						
SS 316L Catalog Number	Viewing Area		Cutout		Frame Size	
	A	B	C	D	E	F
EWK-0303SS6	3.00	3.00	4.81	4.81	6.50	6.50
EWK-0503SS6	5.00	3.00	6.81	4.81	8.50	6.50
EWK-0505SS6	5.00	5.00	6.81	6.81	8.50	8.50
EWK-0703SS6	7.00	3.00	8.81	4.81	10.50	6.50
EWK-0707SS6	7.00	7.00	8.81	8.81	10.50	10.50
EWK-0905SS6	9.00	5.50	10.81	7.31	12.50	9.00
EWK-0909SS6	9.00	9.00	10.81	10.81	12.50	12.50
EWK-1111SS6	11.00	11.00	12.81	12.81	14.50	14.50
EWK-1303SS6	13.00	3.00	14.81	3.81	16.50	6.50
EWK-1308SS6	13.00	8.00	14.81	9.81	16.50	11.50
EWK-1313SS6	13.00	13.00	14.81	14.81	16.50	16.50
EWK-1515SS6	15.00	15.00	16.81	16.81	18.50	18.50
EWK-1705SS6	17.00	5.50	18.81	7.31	20.50	9.00
EWK-1711SS6	17.00	11.00	18.81	12.81	20.50	14.50
EWK-1717SS6	17.00	17.00	18.81	18.81	20.50	20.50
EWK-2315SS6	23.00	15.00	24.81	16.81	26.50	18.50
EWK-2424SS6	24.00	24.00	25.81	24.81	27.50	27.50

## Mounting Panels



### JN4X(6) Series Mounting Panels

- Type 316L stainless steel panels are 14 gauge (.075") with a 2B brushed finish
- Carbon steel panels are 14 gauge (.075") with a gloss white powder coat finish
- Custom panel sizes and materials available upon request

### N4X(6) / AVSS (Victory) Series Mounting Panels

- Type 316L stainless steel panels are 12 gauge (.1046") with a 2B brushed finish
- Carbon steel panels are 12 gauge (.1046") with a gloss white powder coat finish
- Custom panel sizes and materials available upon request

**Panels for N4X JIC Enclosures**

Painted Steel Cat #	SS Cat #	For Enclosure	Panel Size (H x W)
06P04	06P04SS6	6 x 4	4 7/8" x 2 7/8"
06P06	06P06SS6	6 x 6	4 7/8" x 4 7/8"
08P06	08P06SS6	8 x 6	6 7/8" x 4 7/8"
08P08	08P08SS6	8 x 8	6 7/8" x 6 7/8"
10P08	10P08SS6	10 x 8	8 7/8" x 6 7/8"
10P10	10P10SS6	10 x 10	8 7/8" x 8 7/8"
12P10	12P10SS6	12 x 10	10 7/8" x 8 7/8"
12P12	12P12SS6	12 x 12	10 7/8" x 10 7/8"
14P08	14P08SS6	14 x 8	12 7/8" x 6 7/8"
14P12	14P12SS6	14 x 12	12 7/8" x 10 7/8"
15P15	15P15SS6	15 x 15	13 7/8" x 13 7/8"
15P15	16P14SS6	16 x 14	14 7/8" x 12 7/8"

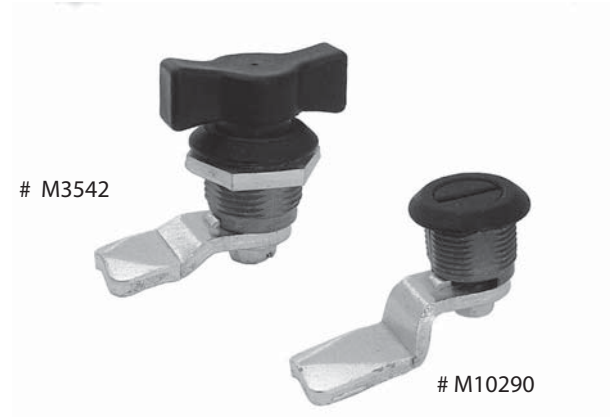
**Panels for N4X Single Door and Victory Series Enclosures**

Painted Steel Cat	SS Cat # for Enclosure	Enclosure Size	Panel Size (H x W)
V1212	V1212SS6	12 x 12	9" x 9"
V1612	V1612SS6	16 x 12	13" x 9"
V1616	V1616SS6	16 x 16	13" x 13"
V2012	V2012SS6	20 x 12	17" x 19"
V2016	V2016SS6	20 x 16	17" x 13"
V2020	V2020SS6	20 x 20	17" x 17"
V2412	V1212SS6	24 x 12	21" x 9"
V2416	V2416SS6	24 x 16	21" x 13"
V2420	V2420SS6	24 x 20	21" x 17"
V2424	V2424SS6	24 x 24	21" x 21"
V3016	V3016SS6	30 x 16	27" x 13"
V3020	V3020SS6	30 x 20	27" x 17"
V3024	V3024SS6	30 x 24	27" x 21"
V3030	V3030SS6	30 x 30	27" x 27"
V3624	V3624SS6	36 x 24	33" x 21"
V3630	V3630SS6	36 x 30	35" x 21"
V3636	V3636SS6	36 x 36	39" x 27"
V4224	V4224SS6	42 x 24	39" x 33"
V4230	V4230SS6	42 x 30	45" x 21"
V4236	V4236SS6	42 x 36	42" x 27"
V4824	V4824SS6	48 x 24	45" x 21"
V4830	V4830SS6	48 x 30	42" x 27"
V4836	V4836SS6	48 x 36	45" x 33"
V6036	V6036SS6	60 x 36	57" x 33"

## AVSS(6) Victory Series Quarter Turn Latches

### LOCKS & LATCHES

Catalog Number	Description
M10290	Slotted Quarter Turn Zinc Black
M10298	Slotted Quarter Turn SS316
M10289	Keyed Quarter Turn Zinc Black
M11616	Keyed Quarter Turn SS316
M3542	Wing Handle Quarter Turn Zinc Black
M3338	Padlock Wing Handle Quarter Turn Zinc Black
M10925	Keyed Handle Quarter Turn Zinc Black
M5542	Keyed T-Handle Quarter Turn SS316
M5474	Keyed L-Handle Quarter Turn SS316
M10295	3MM Double Bit Quarter Turn SS316
M5543	Spare Key
M10296	Spare 3MM Double Bit Key Polyamide



## AVSS(6) Victory Series Hinge Kits

### HINGE KITS

Catalog Number	Description
M10291	Zinc / Black with Self Securing Delrin Pin
M10294	SS316L with SS316 Pin
M10294-1	SS316L Pin

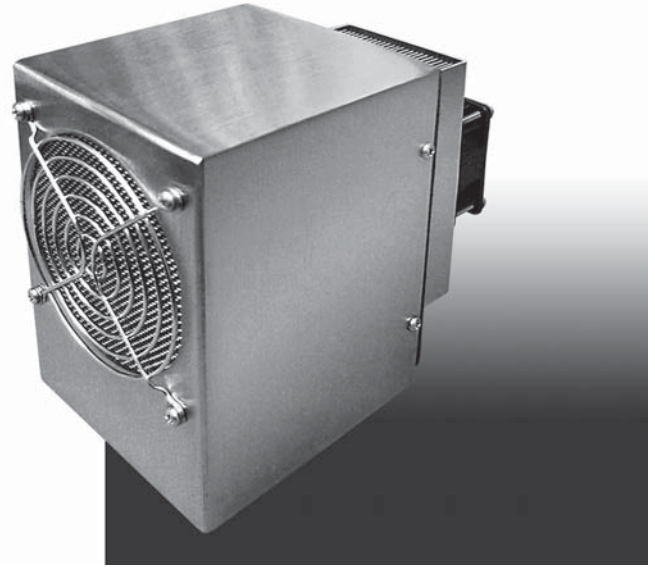


## AVSS(6) Victory Series Wall Mounting Bracket

### WALL MOUNTING BRACKETS

Catalog Number	Description
V-SSWMB	<ul style="list-style-type: none"> <li>• Set of four SS316L brackets and hardware</li> <li>• Maintain 4, 4X, 12, 13 ratings</li> <li>• Field installable</li> <li>• No punching or drilling required</li> </ul>

## Thermoelectric Heater/Cooler



### Top Ten Advantages

1. Cooling and Heating - all in ONE, maintenance-free unit
2. Built to NEMA Type 4X standards for tough industrial environments
3. NO air exchange with ambient (outside) air
4. Flexible mounting options include indoor/outdoor use and vertical or horizontal installation
5. Small form factor that is compact and lightweight giving you more useable area in your enclosure
6. NO moving parts (other than fans)
7. NO compressor, evaporator, condenser, refrigerants, CFC's or other chemicals
8. NO copper tubing or liquid lines
9. NO performance loss when low input
10. NO filters to change or clean

THERMOELECTRIC HEATER COOLER			
	AC-2796 (PART# M20803)	AC-2797 (PART# M20804)*	AC-2798 (PART# M20805)*
Capacity Rating (W/BTU)	62/211 (DT=15° @ 25°C Tamb)	121/412 (DT=15° @ 25°C Tamb)	242/825 (DT=15° @ 25°C Tamb)
Operating Voltage (VDC)	24	24	24
Operating Current (A)	3.2	6.1	12.2
Working Temperature	-10°C to +70°C	-10°C to +70°C	-10°C to +70°C
Max. Ambient Temperature	+40°C	+40°C	+40°C
Dimensions (H x W x D approx)	5.63" x 4.00" x 7.75"	9.00" x 4.00" x 8.00"	13.63" x 5.25" x 9.50"
<b>Optional Accessories</b>			
Power Supply	M20806	M20807	M20808
Temperature Controller	M20809	M20809	M20810

NOTE: Sensor is needed with controller options. Please contact the factory for available sensor options. Without the controller, the unit is a full-time heater or cooler.

\* Product does not carry UL Approvals.